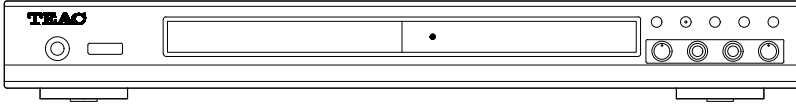


# TEAC




## SERVICE MANUAL

# DV-3300/3300VK

## DVD Player

### NOTES

- PC boards shown are viewed from parts side.
- Parts marked with \* require longer delivery time.
- The parts with no reference number or no parts number in the exploded views are not supplied.
- As regards the resistors and capacitors, refer to the circuit diagrams contained in this manual.
-  Parts marked with this sign are safety critical components. They must be replaced with identical components – refer to the appropriate parts list and ensure exact replacement.
- Parts of [ ] mark can be used only with the version designated.
- [US]:U.S.A.[C]:CANADA[SA]:SOUTH AMERICA

### CONTENTS

<b>1 SAFETY INFORMATION.....</b>	<b>2</b>
<b>2 SPECIFICATIONS.....</b>	<b>3</b>
<b>3 EXPLODED VIEWS AND PARTS LIST.....</b>	<b>4</b>
<b>4 PC BOARDS AND PARTS LIST.....</b>	<b>6</b>
<b>5 WIRING DIAGRAM.....</b>	<b>24</b>

## 1 SAFETY INFORMATION

### SAFETY INFORMATION

This product has been designed and manufactured according to FDA regulations “title 21, CFR, chapter 1, subchapter J based on the Radiation Control for Health and Safety Act of 1986” and is classified as class 1 laser product. There is no hazardous invisible laser radiation during operation because invisible laser radiation emitted inside of this product is completely confined in the protective housings. The label required in this regulation is shown below.

- **CAUTION**

USE OF CONTROLS OR ADJUSTMENT OR PERFORMANCE OF PROCEDURES OTHER THAN THOSE SPECIFIED HERE IN MAY RESULT IN HAZARDOUS RADIATION EXPOSURE.

## 2 SPECIFICATIONS

### DVD Player

Pickup.....	Semiconductor laser, Wavelength 650/790nm
Signal system.....	NTSC/PAL
Video signal horizontal resolution.....	More than 480 lines (DVD)
Video signal-to-noise ratio.....	More than 50 dB (DVD)
Audio frequency response (at 2 CH stereo mode).....	20 Hz ~ 20 kHz (+1/-3 dB)
Audio signal-to-noise ratio.....	62dB
Dynamic range.....	80dB

### Video Outputs

CVBS Video.....	1 Vp-p 75 Ω
S-video.....	Y: 1 Vp-p 75 Ω C: 0.3 Vp-p 75 Ω (PAL), 0.286 Vp-p 75 Ω (NTSC)
Component video.....	Y: 1 Vp-p 75 Ω Pb: 0.7 Vp-p 75 Ω Pr: 0.7 Vp-p 75 Ω

### Audio Outputs

Analog outputs.....	2 Vrms, 1 kΩ
Digital output.....	1.0 Vp-p (coaxial) Optical x 1

### General

Power requirements.....	230V AC, 50Hz
Power consumption.....	15W (STANDBY: less than 1W)
Dimensions (WxHxD).....	435x278 x 54 mm
Weight.....	2.4kg
Motor.....	DC servo motor
Operating temperature.....	0°C~40°C
Operating humidity.....	15% ~ 75%

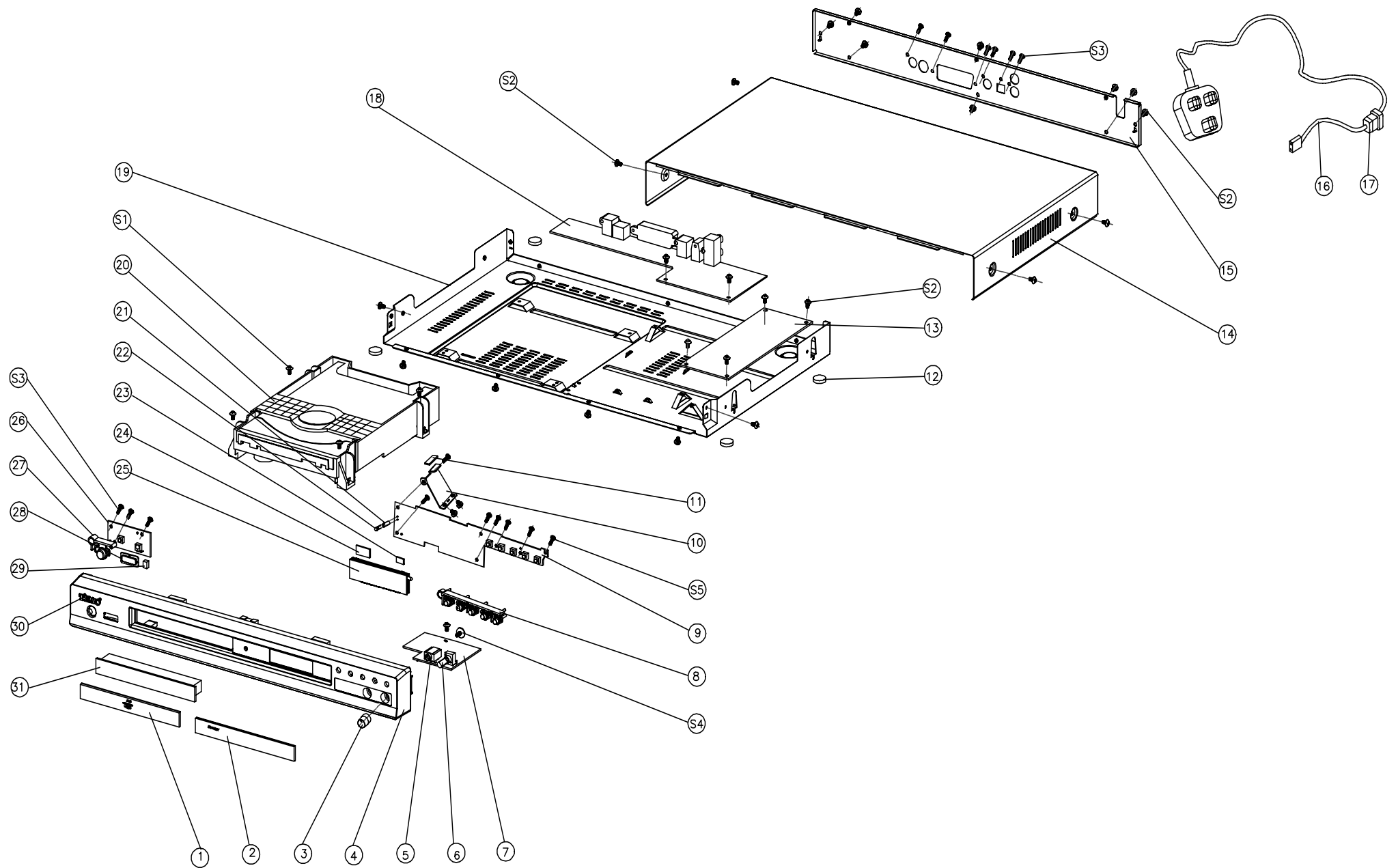
### Standard Accessories

Audio/Video cable x 1
Remote control unit x 1
Batteries (AA, R6, SUM-3) x 2

- Design and specifications are subject to change without notice.
- Weight and dimensions are approximate.
- Illustrations may differ slightly from production models

DV-3300/3300VK

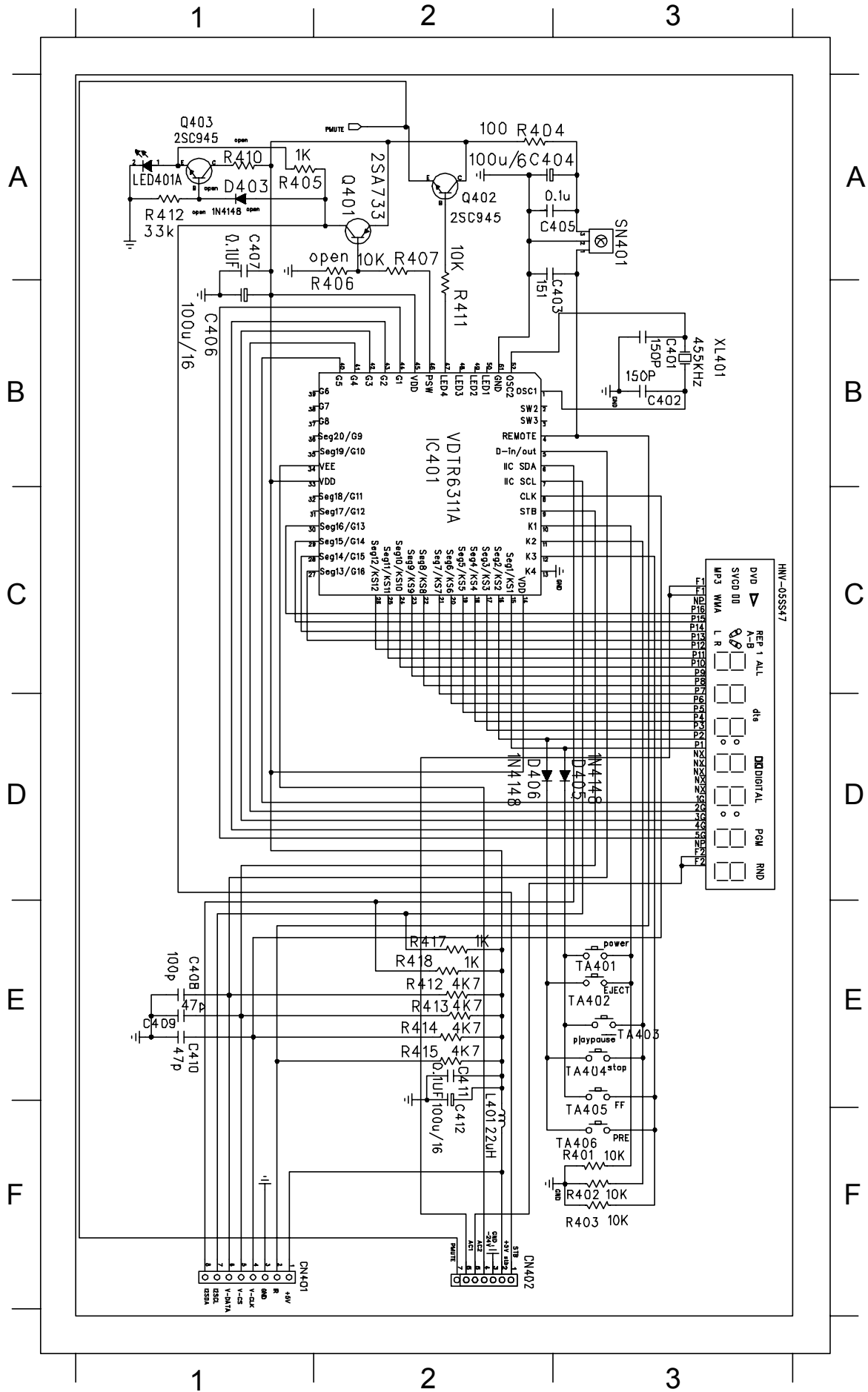
EXPLODED VIEW



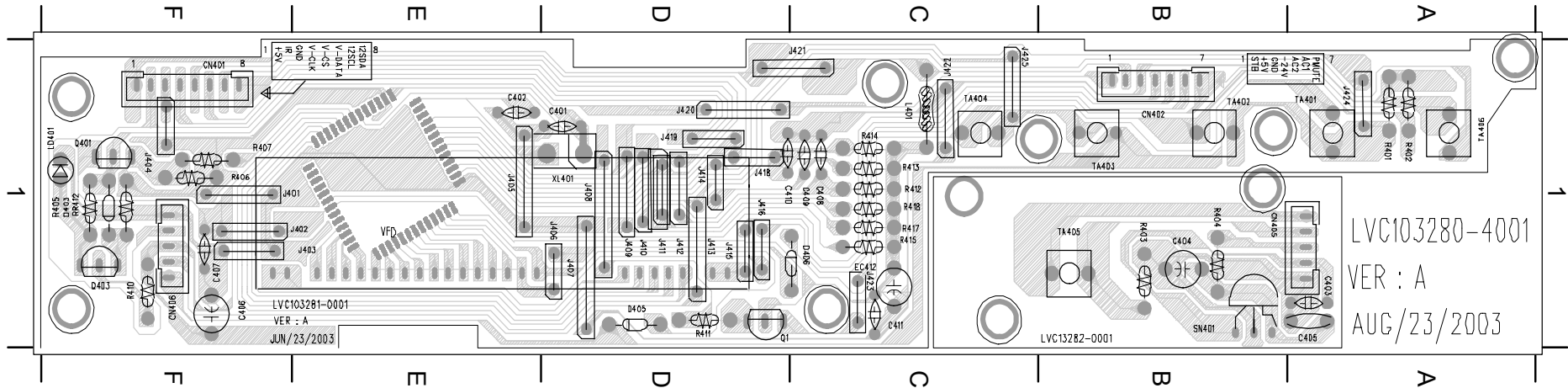
## EXPLODED VIEW

REF. NO	PARTS NO.	DESCRIPTION	REMARKS
1 - 1	BPN100151-0001	DVD LENS	
1 - 2	BPN100152-0001	VFD LENS	
1 - 3	BP,K126054-0001	LEVEL KNOB	
1 - 4	BPF114034-0001	FRONT PANEL FOR UK	
	BPF104034-0001	FRONT PANEL (FOR 3300VK)	
1 - 5	CJM64012-3010	PHONE JACK	
	CJM64012-1010	PHONE JACK (FOR 3300VK)	
1 - 6	MVR002211-5030	CONTROL ROTARY	
	MVR002211-5032	CONTROL ROTARY (FOR 3300VK)	
1 - 7	APE103480-2001	PHONE PCB	
	APE103450-0001	KARAOKE PCB (FOR 3300VK)	
1 - 8	ASW100012-0001	KNOB ASSY	
1 - 9	APE103281-0001	CONTROL PCB	
1 - 10	GSE100349-0001	SUPPORT PLATE	
1 - 11	IVE000058-0001	SPONGE	
1 - 12	BRB000049-0004	RUBBER	
1 - 13	APE103290-0001	POWER PCB	
1 - 14	GSE100341-0001	TOP COVER	
1 - 15	GSE100339-0001	REAR COVER	
	GSE100339-1001	REAR COVER (FOR 3300VK)	
	GSE100339-0002	REAR COVER (FOR 3300VK)	
1 - 16	VPE003250-0010	LINE CORD	
	VPE006250-0030	LINE CORD (FOR 3300VK)	
1 - 17	DBU001005-0020	BUSHING	
1 - 18	APE103270-0002	AUDIO PCB	
	APE103270-0001	AUDIO PCB (FOR 3300VK)	
1 - 19	GSE100340-0001	BOTTOM COVER	
1 - 20	ASL260005-0001	DVD LOADER	
1 - 21	DLH010007-0015	LED HOLDER	
1 - 22	KED200003-0010	LED	
1 - 23	IVE100307-0001	SPONGE	
1 - 24	IVE100307-0002	SPONGE	
1 - 25	KLV000026-0010	VFD	
1 - 26	APE103282-0001	SENSOR PCB	
1 - 27	BPK106054-0001	POWER KNOB	
1 - 28	BPN100153-0001	REMOTE SENSOR LENS	
1 - 29	IVE100308-0001	SENSOR SPONGE	
1 - 30	BPL010014-0007	PLATE LOGO	
1 - 31	BPD101059-0001	DVD DOOR	
1 - S1	HST143084-1100	SCREW	
1 - S2	HST143084-1060	SCREW	
1 - S3	HSP140054-1080	SCREW	
1 - S4	HSW140054-1081	SCREW (ESP3302)	
1 - S5	HET140050-1080	SCREW (FOR 3302/3304)	

CONTROL CIRCUIT DIAGRAM



DV-3300/3300VK  
 CONTROL PCB LAYOUT



# DV-3300/3300VK

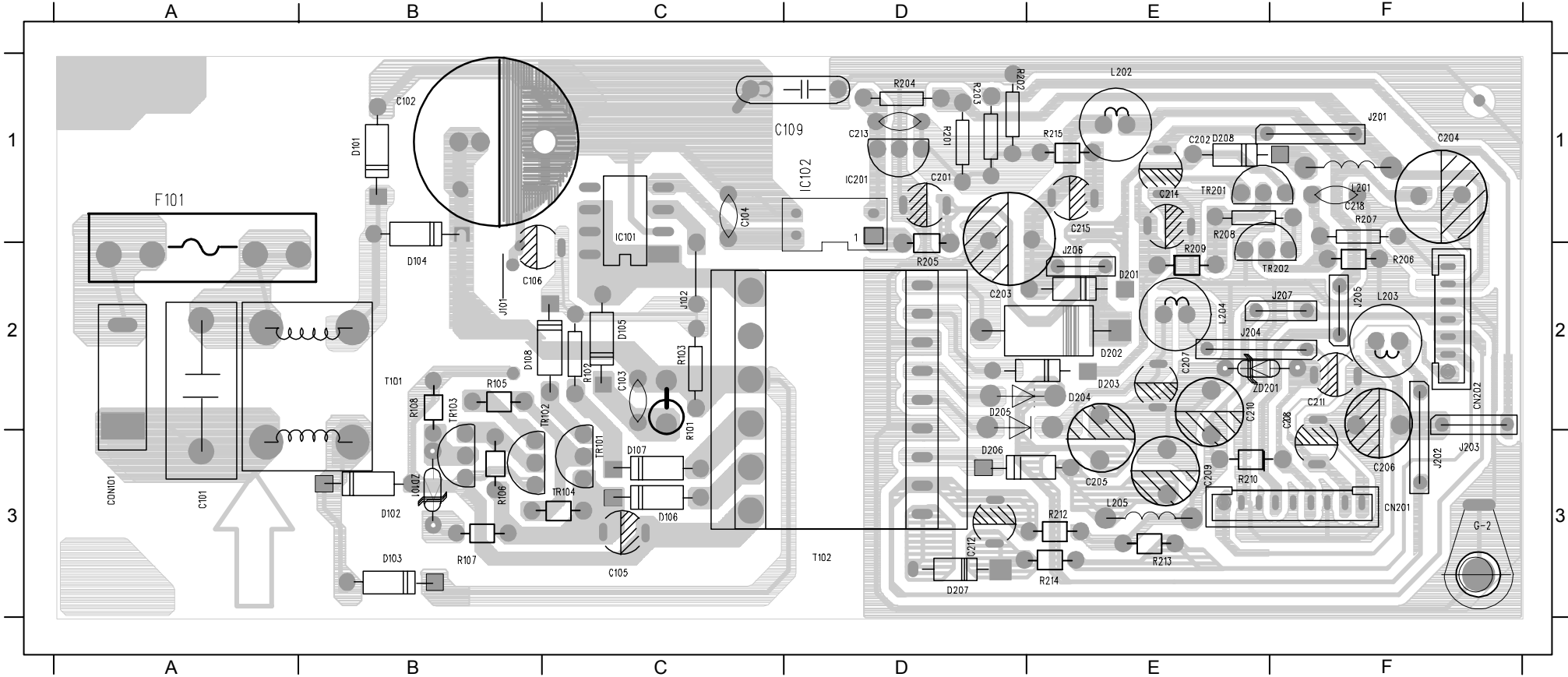
## CONTROL PCB ASSY

REF. NO	PARTS NO.	DESCRIPTION	REF.NO	PARTS NO.	DESCRIPTION
	LVC103281-0001	CONTROL PCB			
CN401	VFL81124B-2400	8 COND 240mm BLACK			
CN402	VFL71134B-1200	7P 120mm 2468#26 BLK			
CN406	VFL5112BB-2200	5 PIN 220mm 2468#26 BLK			
C401,402	PRD235470-1510	150pF 50V 10%			
C404	PRE039540-1010	100uF 16V 20%			
C405,407,411	PRD249670-1040	0.1uF 50V +80-20%			
C406	PRD039540-1010	100uF 16V 20%			
C408	PRD113370-1010	100uF 50V 5%			
C409,410	PRD113370-4700	47pF 50V 10%			
C412	PRE039530-4700	47uF 10V 20%			
D405,406	RAD114148-0010	IN4148			
L401	SAN001600-2200	22uH 10% 7.9MHz			
LD401	KED200003-0010	3 DIA RED ROUND			
SN401	RHO203804-2001	IFM-2038F4 EVERLIGHT			
TA401,402,403,404 406	MAW060001-0010	SKHVBE ALPS			
TA405	MAW060001-0010	SKHVBE3520 ALPS			
XL401	JRN002001-0010	MURATA CSB 455EB			
VFD1	KLV0000260-0010	VFD VA 49x9mm			
R401,402,403,407 411	QAF065000-1030	10K OHM 1/6W 5%CF			
R404	QAF065000-1010	100 OHM 1/6W 5% CF			
R405,417,418	QAF065000-1020	1K OHM 1/6W 5% CF			
R412,413,414,415	QAF065000-4720	4.7K OHM 1/6W 5% CF			
Q1	RAN200945-0001	2SC945P			
Q401	RAP200733-0001	2SA733Q,p NEC			
IC401	RCI006211-0002	52 PIN VDTR6311A			








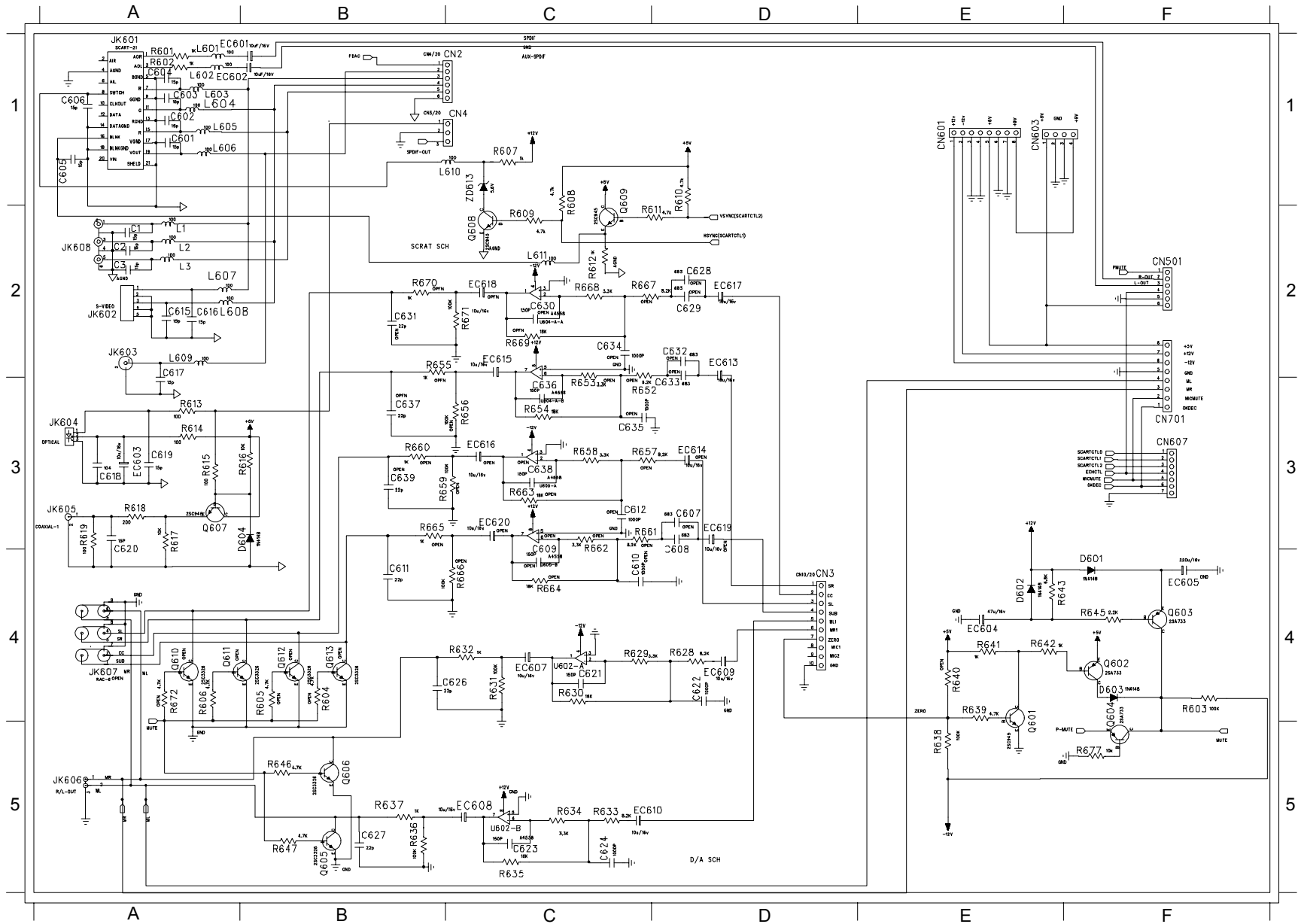
DV-3300/3300VK  
POWER PCB LAYOUT



**POWER PCB ASSY**

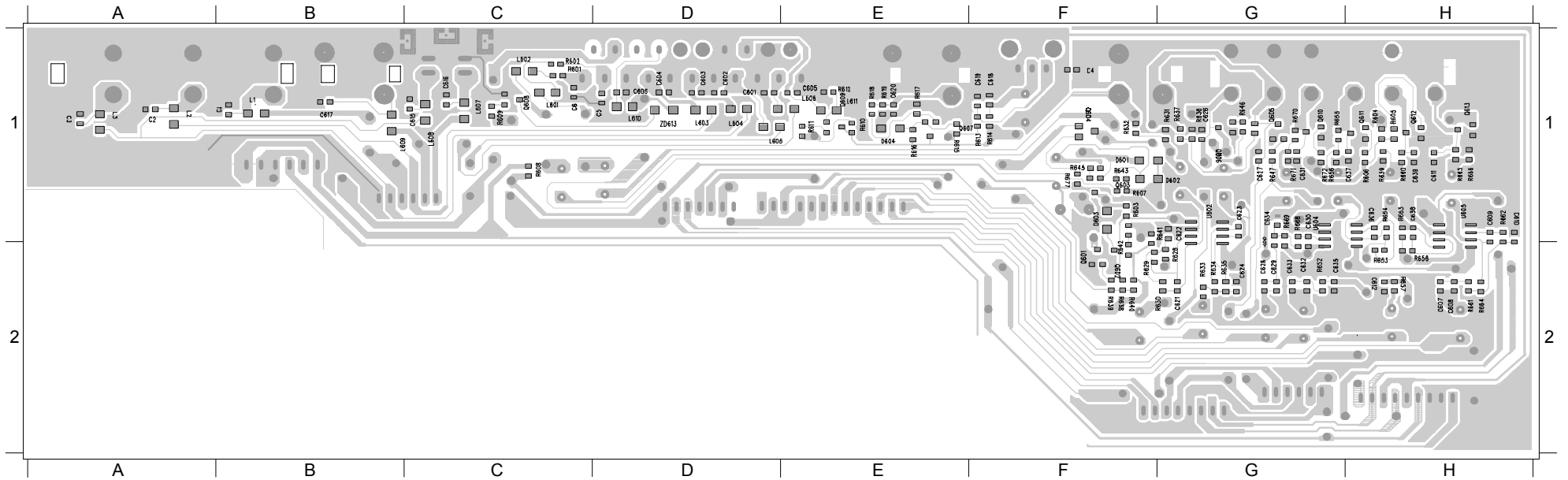
REF. NO	PARTS NO.	DESCRIPTION	REF.NO	PARTS NO.	DESCRIPTION
	LVA103480-0401	POWER PCB 94V0	R209	QAF065000-6820	6.8K OHM 1/6W 5% CF
C101	PVX2705G0-1040	0.1uF 275V 20%	R214	QAF065000-1000	10 OHM 1/6W 5% CF
C102	PVE0995K2-3301	33uF 400V 20% 105	R215	QAF065000-5620	5.6K OHM 1/6W 5% CF
C103	PVD235500-1030	0.01uF 1KV 20%	F101	 CFC011000-1001	DIA5xL20mm FUSE
C104	PRD249670-2230	0.022uF 50V +80-20%	F101	 KSA020100-0110	1A 250V SLOW
C105,214,215	PRE0395A0-2290	2.2uF 100V 20%	L201,205	SHN001600-1000	INDUCTOR 10uH 10%
C106	PRE039570-4700	47uF 50V 20%	L202,203,204	SIL206001-1000	10uH 1.5A 10%
C109	PVY1705K0-2220	0.0022uF 400V 20%	T101	JFT006002-0030	2x39mH COMMON MODE
C201,202	PRE249670-1010	100uF 16V 20%	T102	TSA100003-0019	TRANSFORMER ED28 CLICK
C203,204	PME039540-1020	1000uF 16V 20%	TR101,201	RAN205401-0002	PNP 2N5401B TO-92
C205,206	PME039540-4710	470uF 16V 20%	TR102,103,202	RAN205551-0002	NPN 2N5551B TO-92
C207,208,211	PRE039550-4700	47uF 25V 20%	ZD101	RAZ005022-0020	21.6-22.6V 0.5W
C209,210	PRE0396560-2210	220uF 35V 20%	ZD201	RAZ005012-0010	11.9-12.4V 0.5W
C212	PRE249670-1010	100uF 16V 20%	IC101	RHI502659-0001	8 PIN KA5M02659RN
C213,218	PRD249670-1040	0.1uF 50V +80-20%	IC102	RHO615003-3001	SENSOR SFH615A-3
CN201	VFL91124B-1600	9 PIN 160mm 2468#26 BLK	IC201	RAI004310-0001	3 PIN KA431AZ
CN202	CCN200000-0107	7 PIN PITCH=2.0mm			
CON101	CCN396021-0104	4 PIN P=3.96mm			
D101,102,103	 RAD114007-0010	IN4007			
104,105					
D106,107,108	RAD100104-0010	HER104 1A 300V 50nS			
205,206,207					
D201,204,208	RAD115819-0010	IN5819			
D202	RAD115822-0010	IN5822 3A 45V			
D203	RAD100104-0010	HER104 1A 300V 50nS			
R101,203	QHF025000-1040	100K OHM 1/2W 5% CF			
R102	QAF065000-4700	47 OHM 1/6W 5% CF			
R103	QAF045000-4740	470K OHM 1/4W 5% CF			
R104,108	QAF065000-4720	4.7K OHM 1/6W 5% CF			
R105,204,207	QAF065000-1030	10K OHM 1/6W 5% CF			
R106	QAF065000-2030	20K OHM 1/6W 5% CF			
R107	QAF065000-4730	47K OHM 1/6W 5% CF			
R201,202	QAF041000-1001	1.0K OHM 1/4W 5% MF			
R205	QAF065000-2210	220 OHM 1/6W 5% CF			
R206,212,213	QAF065000-2220	0.2K OHM 1/6W 5% CF			
R208,210	QAF065000-1020	1K OHM 1/6W 5% CF			

AUDIO CIRCUIT DIAGRAM





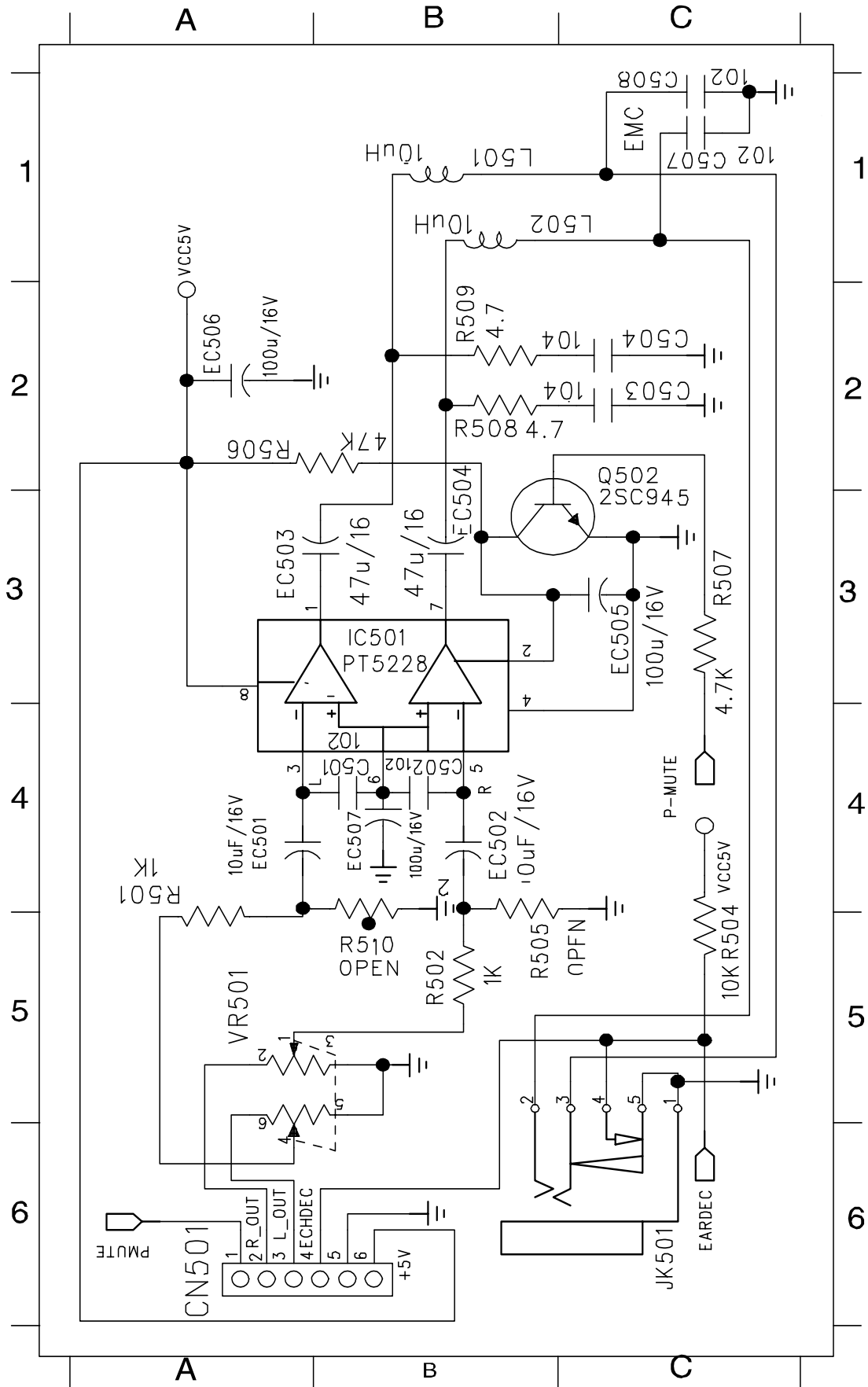
DV-3300/3300VK  
AUDIO PCB LAYOUT



**AUDIO PCB ASSY**

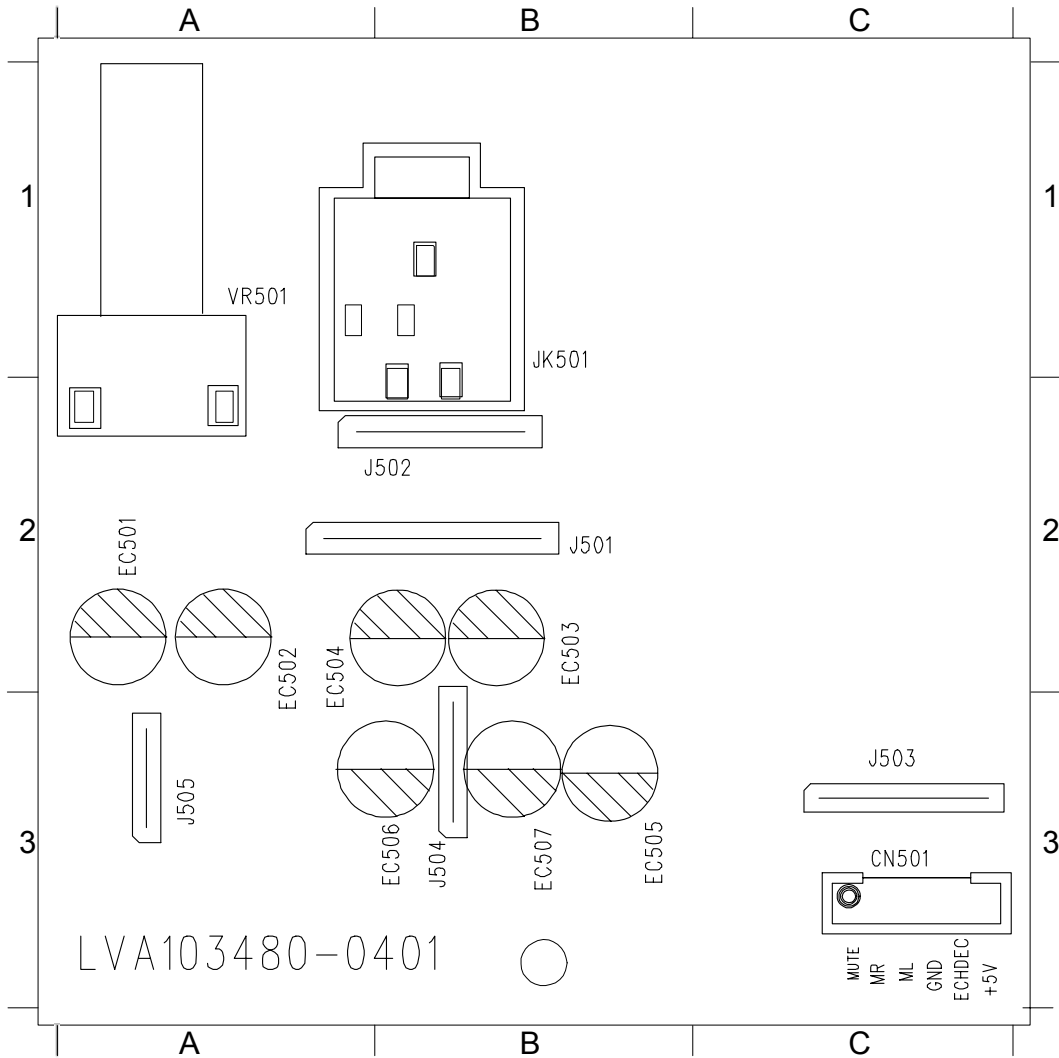
REF. NO	PARTS NO.	DESCRIPTION	REF.NO	PARTS NO.	DESCRIPTION
	LVA103270-0201	CD PCB	L609	SCB008050-6010	600 OHM AT 100MHz (for 3302/3303)
			L610,611	SCB008050-6010	600 OHM AT 100MHz (for 3301)
C1,2,3	PXL410370-1501	15pF 5V 5% (for 3302)			
C5,6	PXL410370-1020	1000pF 50V 5% (exp3303/05)	R601,602	QCF161030-1001	1K OHM 1/16W 1% (exp3302)
C601,602,603,604	PXL410370-1501	15pF 50V 5% NPO (exp3302)	R603	QCF165030-1040	100K OHM 1/16W 5%
605,606,615,616,617			R607	QCF161030-1001	1K OHM 1/16W 1%
C618	PXL456440-1041	0.1uF 16V 10% 0603 SMT	R608,609,610,611	QCF165030-4720	4.7K OHM 1/16W 5%
C619	PXL410370-1501	15uF 50V 5% NPO	639,646,647		
C620	PXL410370-1011	100pF 50V 5% NPO (exp3303)	R612,632,637,641	QCF161030-1001	1K OHM 1/16W 1%
C620	PXL410370-1501	15pF 5V 5%	642		
C621	PXL410370-1511	150uF 50V 5% NPO	R613,614,615	QCF165030-1010	100 OHM 1/16W 5%
C622,624	PXL410370-1021	1000pF 50V 5% NPO	R616,617,677	QCF165030-1030	10K OHM 1/16W 5%
C623	PXL410370-1511	150uF 50V 5% NPO	R618	QCF165030-2000	20 OHM 1/16W 5%
C626,627	PXL410370-1020	1000pF 50V 5%	R619	QCF165030-1010	100 OHM 1/16W 5%
C626	PXL410370-2201	22pF 50V 50% BPO (for 3302)	R628	QCF165030-8220	8.2K OHM 1/16W 5%
C627	PXL410370-1020	22pF 50V 50% BPO (for 3302)	R629,634	QCF165030-3320	3.3K OHM 1/16W 5%
C628	PXL410370-1011	100pF 500V 50% NPO (for 3303)	R630,635	QCF165030-1830	18K OHM 1/16W 5%
			R631,636,638	QCF165030-1040	100K OHM 1/16W 5%
CN601	CCN20000-0109	9 PIN PITCH=2.0mm	R632	QCF161030-1001	1K OHM 1/16W 1%
CN602	VFA1124B-1300	10P 130mm UL2468#26	R633	QCF165030-8220	8.2K OHM 1/16W 5%
CN603	VFL61131B-0800	6P 80mm 2468#26 BLK	R637	QCF161030-1001	1K OHM 1/16W 5%
CN604	VFL31124B-0800	3P 80mm BLK	R643	QCF165030-6820	6.8K OHM 1/16W 5%
CN606	CCN20000-0106	6 PIN PITCH=2.0mm	R645	QCF165030-2220	2.2K OHM 1/16W 5%
CN607	AFL71124B-1000	7P 100mm 2468#26			
CN608	VSW624451-0080	6P 80mm UL2854#28	Q601,607	RCN201623-0001	HFE:200-400 L6
			Q602,603,604	RCP200733-0001	2SA812HFE:200-400
EC601	PRE039570-1000	10uF 50V 20% (for 3301/03/05/06)	Q695,606	RCN203326-0001	2SC3326-A(TE85L)
EC602,603	PRE039570-1000	10uF 50V 20%	Q608,609	RCN201623-0001	HFE:200-400 L6 (exp3301/02)
EC604	PRE039540-4700	47uF 16V 20%			
EC605	PRE039540-2210	220uF 16V 20%	U602	RCI004558-0003	8 PIN TEXAS RC4558D SOP8
EC607,608,609,610	PRE039570-1000	10uF 50V 20%			
D601,602,603,604	RCD104148-0010	LL4148 TELEFUNKEN			
ZD613	RCZ005005-0020	5.6V 5% 0.5W (E2) (exp3302/03)			
L1	SCB008050-6010	600 OHM AT 100MHz (for 3002)			
L2,3	CB008050-6010	600 OHM AT 100MHz (for 3002)			
L601,602,603,604	SCB008050-6010	600 OHM AT 100MHz (for 3301/03/05)			
605					
L606	SCB008050-6010	600 OHM AT 100MHz (for 3301)			

PHONE CIRCUIT DIAGRAM

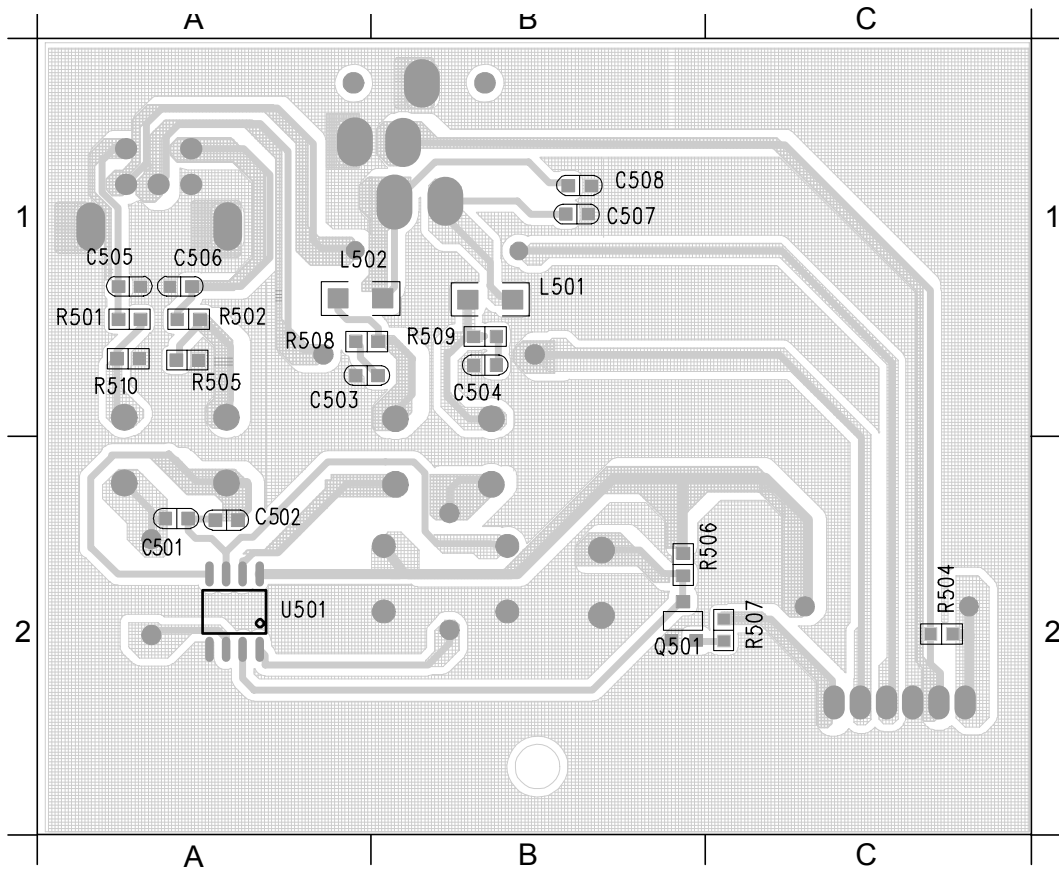




DV-3300/3300VK  
 PHONE PCB LAYOUT



DV-3300/3300VK  
PHONE PCB LAYOUT

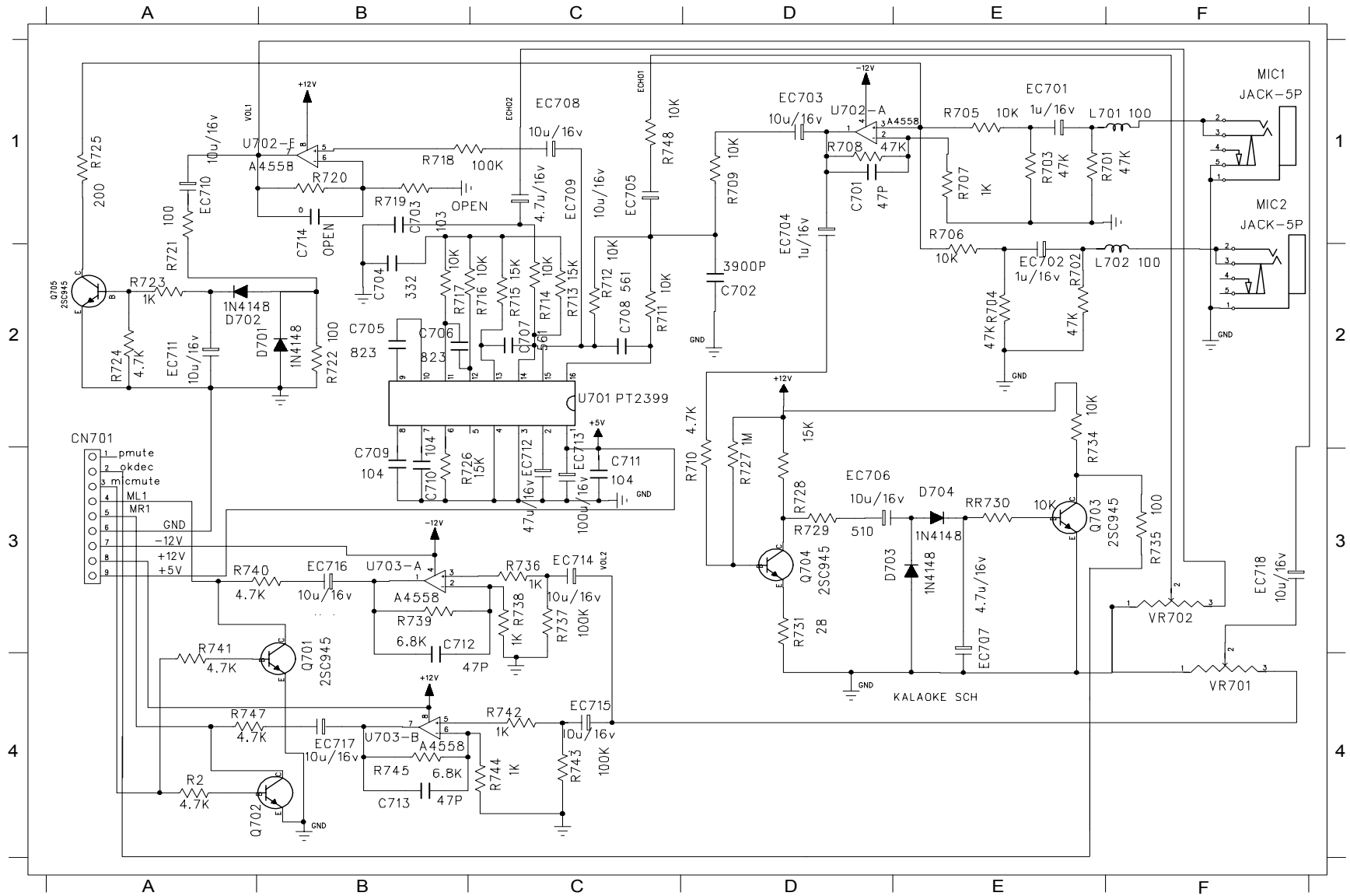


# DV-3300/3300VK

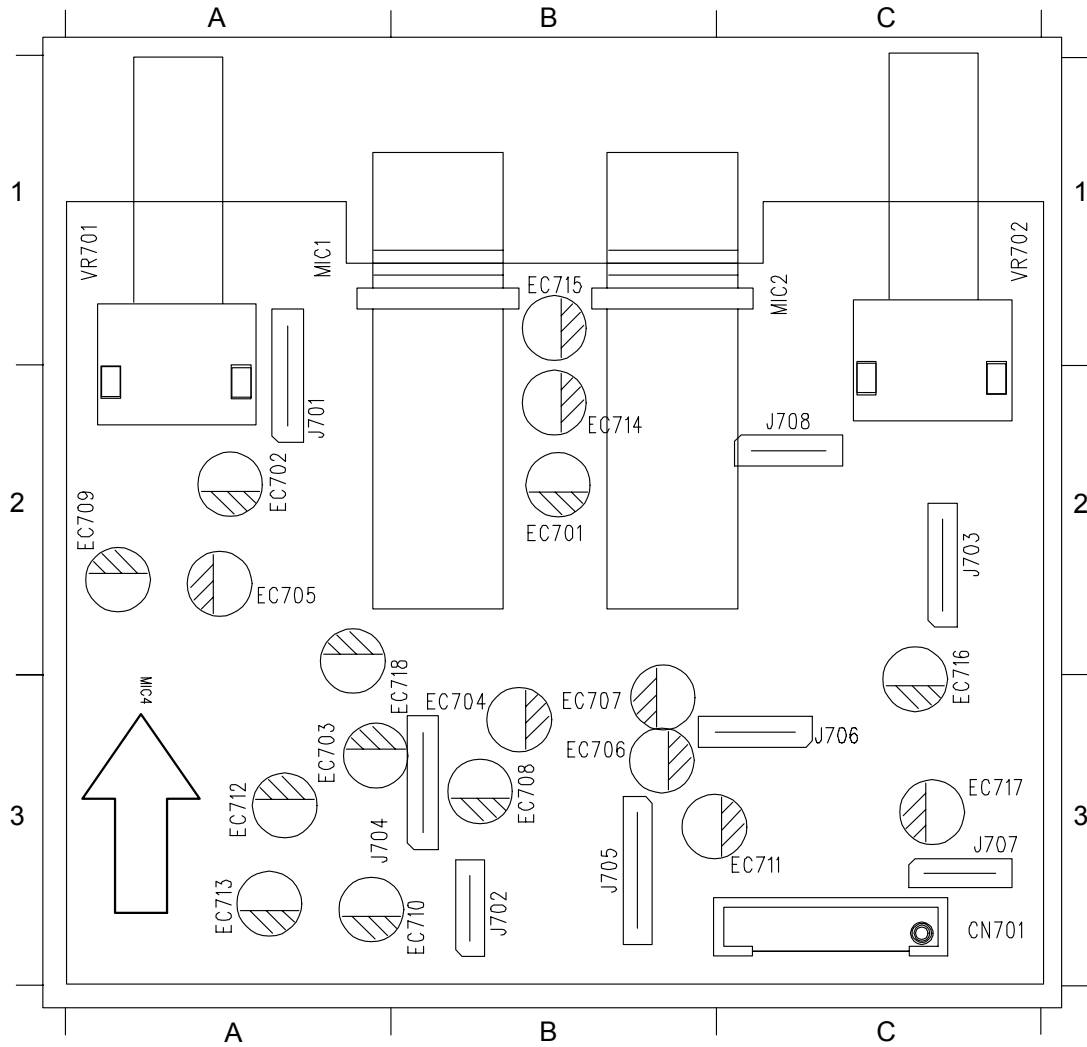
## PHONE PCB ASSY

REF. NO	PARTS NO.	DESCRIPTION	REF.NO	PARTS NO.	DESCRIPTION
	LVA103480-0401	PHONE PCB			
CN501	VWA200048-0018	6P 220mm 2547#28 & 2468x3			
C501,502	PXL410370-1021	1000pF 50V 5% NPO			
C503,504	PXL456440-1041	0.1uF 16V 10% 0603 SMTX7R			
C507,508	PXL410370-1020	1000pF 50V 5%			
EC501,502	PRE039570-1000	10uF 50V 20%			
EC503,504	PRE039540-4700	47uF 16V 20%			
EC505	PRE039570-1000	10uF 50V 20%			
EC506,507	PRE039540-1010	100uF 16V 20%			
L501,502	SCB008050-6010	600 KPHM AT 100MHz			
Q501	RCN201623-0001	NPN HFE;200-400 L6			
VR501	MVR002235-5030	50K OHM B DOUBLE			
R501,502	QCF165030-5620	5.6K OHM 1/16W 5%			
R504	QCF165030-1030	10K OHM 1/16W 5%			
R506	QCF165030-4730	47K OHM 1/16W 5%			
R507,508,509	QCF165030-4720	4.7K OHM 1/16W 5%			
U501	RCI1005228-0001	8 PIN TP5228			

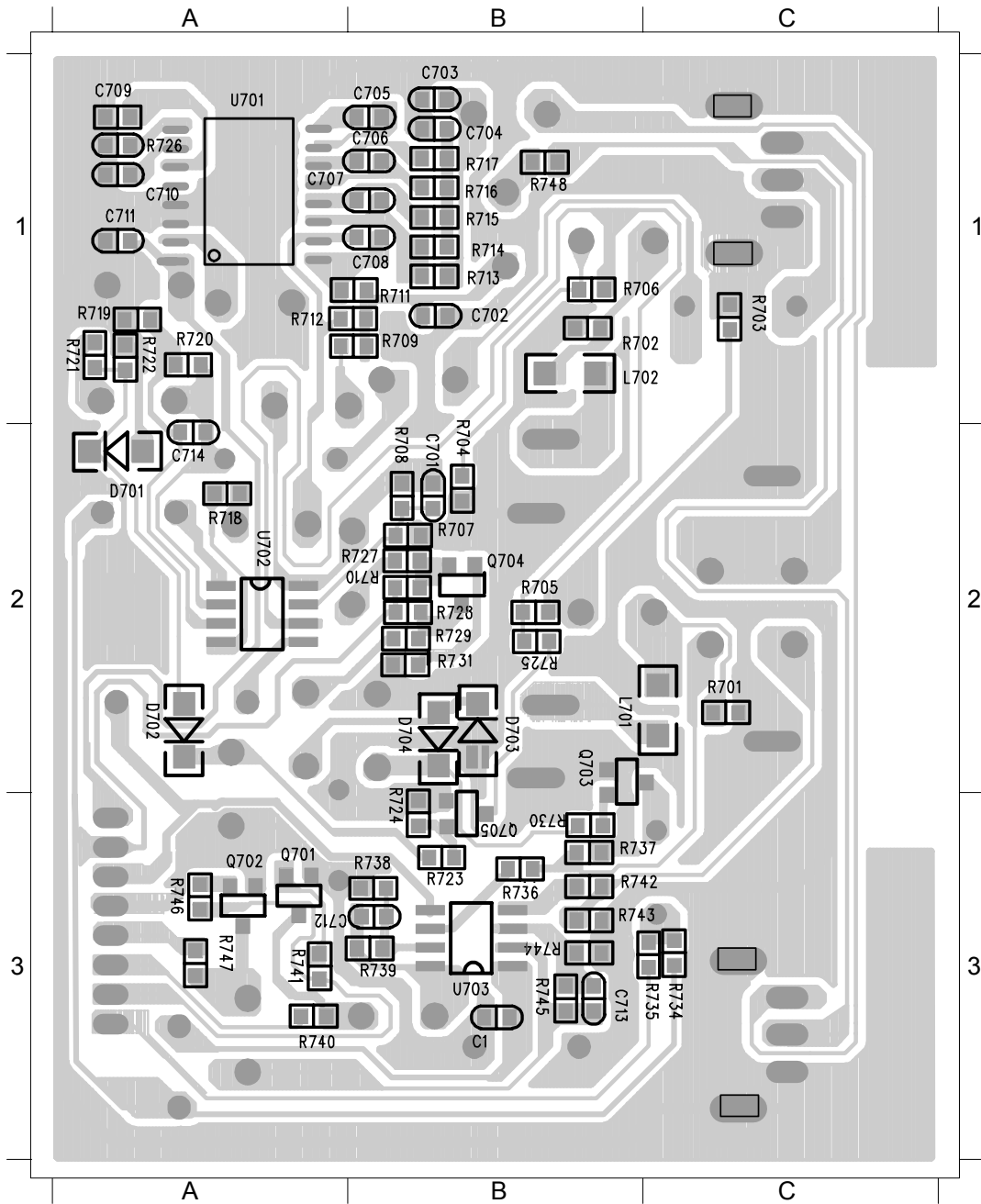
DV-3300/3300VK  
 KARAOKE CIRCUIT DIAGRAM



DV-3300/3300VK  
 KARAOKE PCB LAYOUT



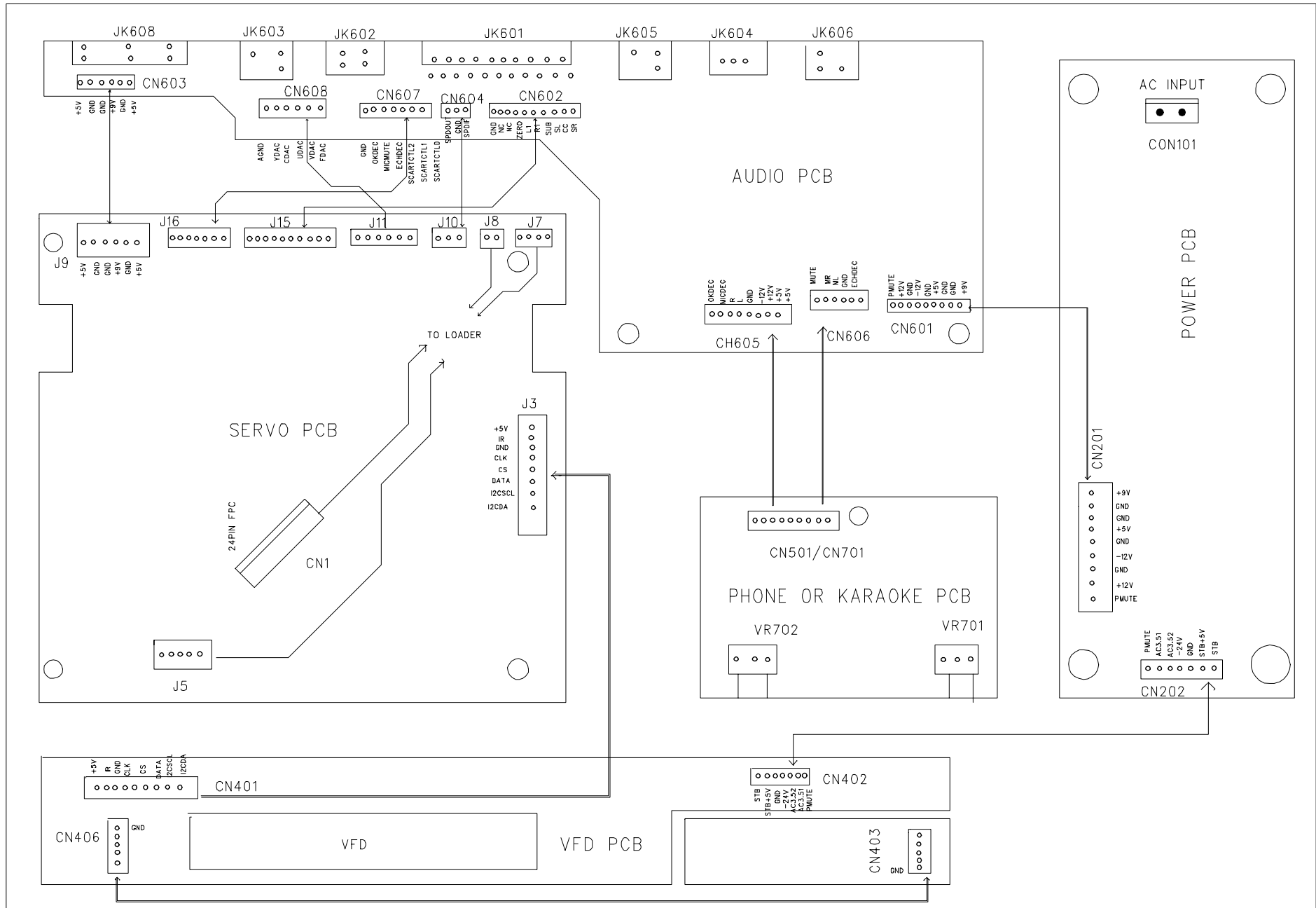
DV-3300/3300VK  
 KARAOKE PCB LAYOUT



**KARAOKE PCB ASSY**

REF. NO	PARTS NO.	DESCRIPTION	REF.NO	PARTS NO.	DESCRIPTION
		KARAOKE PCB	R721,722,735	QCF165030-1010	100 OHM 1/16W 5%
CN701	VWA200048-0017	8P 220mm 2547#28 & 2468#26	R725	QCF165030-2010	200 OHM 1/16W 5%
C701,712,713	PXL410370-4701	47pF 50V 5% NPO	R727	QCF165030-1050	1M OHM 1/16W 5%
C702	PXL456470-3920	0.0039uF 50V 10%	R729	QCF165030-5110	510 OHM 1/16W 5%
C703	PXL456470-1031	0.01uF 50V 10% X7R	R731	QCF161030-2809	28 OHM 1/16W 1%
C704	PXL456470-3320	0.0033uF 50V 10%	R737,743	QCF165030-1040	100K OHM 1/16W 5%
C705,706	PZL456370-8230	0.082uF 50V 5%	R739,745	QCF165030-2230	22K OHM 1/16W 5%
C707,708	PXL410370-5611	560pF 50V 5% NPO	R748	QCF165030-1530	15K OHM 1/16W 5%
C709,710,711	PXL456440-1041	0.1uF 16V 10%0603 SMT X7R	U701	RCI002399-0001	IC 16 PIN PT2399S SO-16
EC701,702,704	PRE039570-1090	1uF 50V 20%	U702,703	RCI004558-0003	IC 8 PIN TEXAS RC4558D
EC703,705,708	PRE039570-1000	10uF 50V 20%			
710,711,714,715,716					
717,718					
EC706,707,709	PRE039570-4790	4.7uF 25V 20%			
EC712	PRE039540-4700	47uF 16V 20%			
EC713	PRE039540-1010	100uF 16V 20%			
L701,702	SCB008050-6010	600 OHM AT 100MHz			
MIC1,2	CJM064012-1010	JACK D6.4 3 PIN			
VR701	MVR002211-5022	50KB OHM B SINGLE			
D701,702,703,704	RCD104148-0010	LL4148 TELEFUNKEN			
Q701,702	RCN203326-0001	NPN 2SC3326-A (TE85L)			
Q703,704,705	RCN201623-0001	NPN HFE:200-400 L6			
R701,702,703,704	QCF165030-4730	47K OHM 1/16W 5%			
R705,706,709,711	QCF165030-1030	10K OHM 1/16W 5%			
712,714,716,717					
730,734					
R707,723,736,738	QCF161030-1001	1K OHM 1/16W 1%			
742,744					
R708	QCF165030-2230	22K OHM 1/16W 5%			
R710,724,740,741	QCF165030-4720	4.7K OHM 1/16W 5%			
746,747					
R713,715,726	QCF165030-1530	15K OHM 1/16W 5%			
R718	QCF165030-1040	100K OHM 1/16W 5%			
R720	<b>QCF161030-0000</b>	<b>0 OHM 1/16W 1%</b>			

DV-3300/3300VK  
 WIRING DIAGRAM





**INCLUDED ACCESSORIES (FOR 3300)**

<b>Qty</b>	<b>PARTS NO.</b>	<b>DESCRIPTION</b>	<b>REMARKS</b>
1	AIR141015-3301	REMOTE CONTROL 41 KEY (UK)	
1	VRC202001-0040	RCA CABLE 1200mm BLK OD2.6x5.2	
1	VRC101008-0010	RCA CABLE 1200mm OD2.6mm BLK	
2	FBY006315-0003	BATTERY ONLY: MAXELL: R6P(AR) UM-3	
1	YOM100212-0006	OWN MANUAL ENGLISH & FRENCH & SPANISH	
1	YOM100212-0007	OWN MANUAL GERMAN & ITALISH & DUTCH	

**INCLUDED ACCESSORIES (FOR 3300VK)**

<b>Qty</b>	<b>PARTS NO.</b>	<b>DESCRIPTION</b>	<b>REMARKS</b>
1	AIR144015-3301	REMOTE CONTROL 44 KEY (HONG KONG)	
1	VRC202001-0040	RCA CABLE 1200mm BLK OD2.6x5.2	
1	VRC101008-0010	RCA CABLE 1200mm OD2.6mm BLK	
2	FBY006315-0003	BATTERY ONLY: MAXELL: R6P(AR) UM-3	
1	YOM100212-0001	OWNER'S MANUAL ENGLISH (ASIA)	